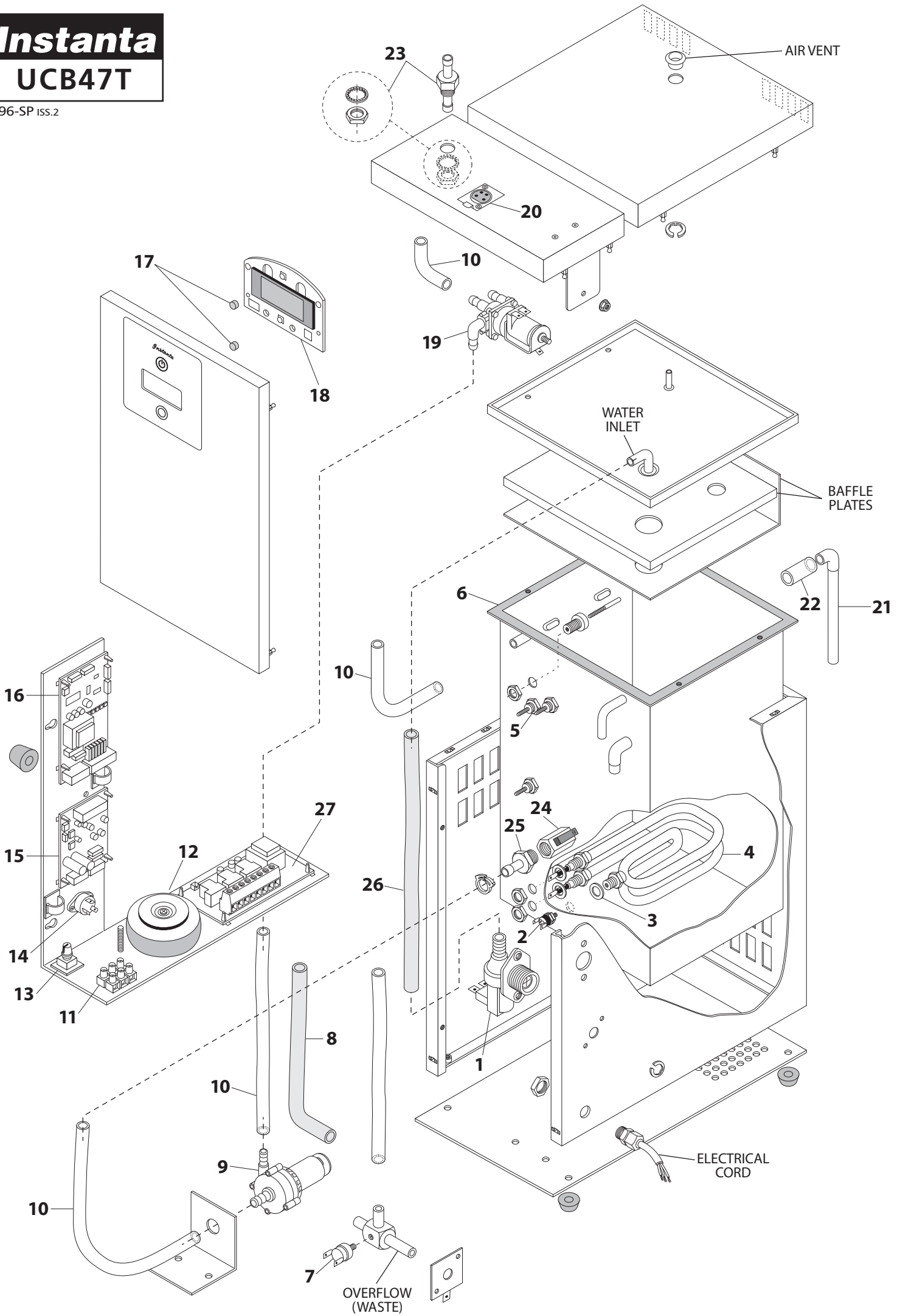


Instanta

UCB47T

D.96-SP ISS.2



Exploded Drawing Key for UCD47T (D.96-SP)

Drawing No.	Description	Part No.	Price (£)
1	Cold Water Solenoid Valve	SOL9	26.75
2	Thermal Cut-out (120°C)	XETR5	9.14
3	Element Washer	XEN100/W	1.38
4	Element	XEN200	69.08
5	Probe Assembly	PRB12/A	17.06
6	Tank Gasket	XENDB40	31.15
7	Thermal Cut-out (90°C)	XETR15	11.50
8	Grey Silicone Overflow Pipe	ACC309/S	9.14/mtr
9	Hot Water Pump	D307	163.01
10	Clear Silicone Hot Water Pipe	SR2	14.73/mtr
11	Terminal Block	E1255	7.93
12	Transformer	XE879	65.08
13	Potentiometer	XE857	12.80
14	Triac	XE851 (3Kw) XE854 (6Kw)	15.83 24.44
15	Pump Power PCB	XE877/2	160.24
16	Main PCB	XE865	303.62
17	Plastic Button Extensions	CAP9	2.82
18	Display PCB	XE871/KLH	81.26
19	Hot Water Solenoid Valve	D306	83.00
20	5 Pin XLR Socket (to font A)	XE863	12.94
20	4 Pin XLR Socket (to font B)	XE863/4	12.94
21	Overflow Dip Pipe	XOV22/T	11.45
22	Silicone Rubber Pipe Sleeve	CM28	1.52
23	Brass Hot Water Outlet	UCHTF1 & UCHTM1	5.20 5.20
24	Ball Valve	UCD1020	24.48
25	Brass Ball Valve Adaptor	XTP1025	6.91
26	Grey Silicone Inlet Pipe	ACC309/S	9.14/mtr
27	Contactorm PCB (Over-boil Cut-out)	XE874	110.70