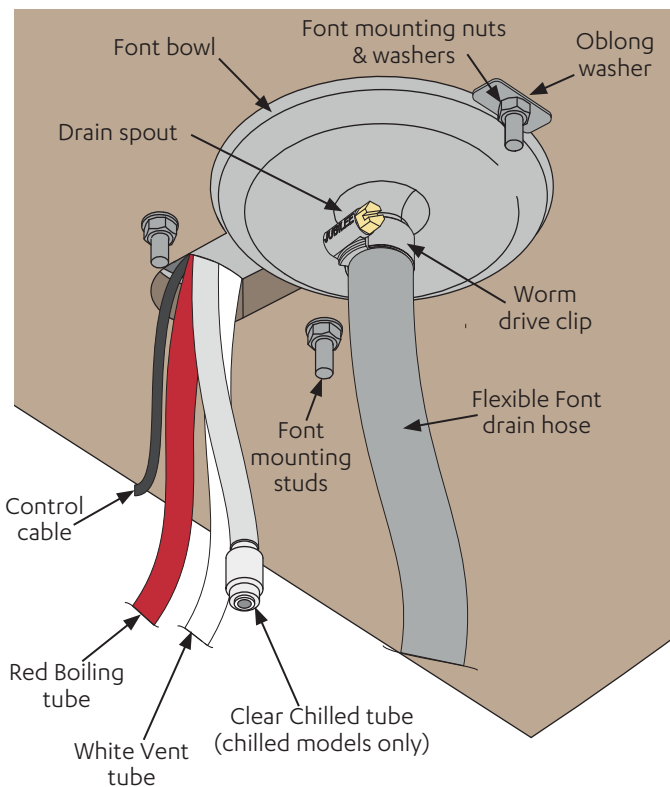


5 Secure the font & connect the drain hose

- Working from underneath, secure the Tap & Font with the Font mounting nuts & washers supplied.
- Connect font bowl to a permanent trapped waste drain using the flexible drain hose and worm drive clamp supplied, see below.
- The drain hose carries drips and spillages from the drip tray to waste.
- Refer to the Installation instruction supplied with the under counter boiler and or chiller ,for system connections, and commissioning.



- Take care to install tubes correctly. No kinks, sags, pinches or loops.
- Ensure there is a constant fall from the tap down to the under counter appliance.

6 Under counter appliance connections



Refer to the Installation instruction supplied with the under counter boiler and or chiller for system installation, commissioning and use.

Mains In	Mains potable water supply.
Control cable	Connected the Tap.
Boiling out	Red silicone tube from tap. Cut to length.
Chilled out	(BC) blue plastic pipe from tap. Cut to length.
Vent	White silicone tube from tap. Cut to length.

7 Cleaning and general maintenance

- To clean tap, font, under-counter appliance and ancillaries, wipe surfaces with a sanitising wipe and leave to air dry.



Zip Water UK
Instanta
 Trafalgar House,
 Rash's Green, Dereham,
 Norfolk, NR19 1JG
 0345 6 005 005

www.zipwater.co.uk
www.instanta.com



Installation instructions

Instanta InstaTap

Dispensing tap & font



Using these instructions

Please refer to all safety and installation requirements detailed in the installation instruction provided with the InstaTap system prior to installation of, or any change to, the complete system.



WARNING



Read the instructions

Before commencing the installation, download & read the InstaTap appliance installation instructions



The InstaTap is only designed to be installed on a work top - it is not suitable for over-sink installation.

Tools needed for installation (not supplied)

In addition to normal tools, the following (or equivalent equipment) will be required.

- 121mm diameter hole saw for worktops.
- 51mm diameter hole saw for worktops.
- Tube spanner for 8mm font mounting nuts.
- 10mm drill bit for font mounting stud holes.
- Jigsaw with suitable blade for worktop material.



Be aware of the risks of hazards which could cause harm when using tools. Assess the risks before starting the installation.

Water supply pressure requirements

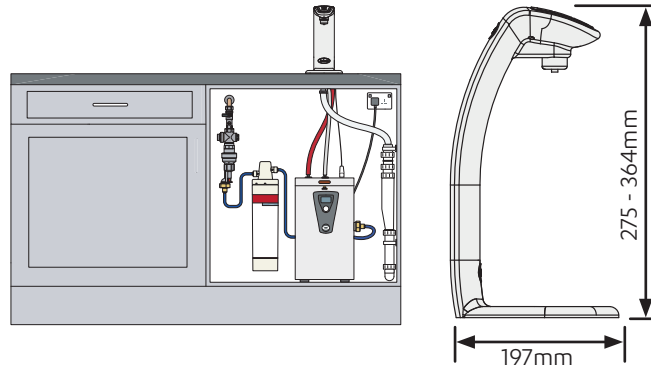
2 - 5 bar.

Parts supplied in the kit

Qty	Description
1	Counter-top water Font & Tap inc tubes & cable
1	Font grille & bezel
3	Mounting stud, nut & washer
1	Font template
1	19mm ID hose
1	Worm drive clamp

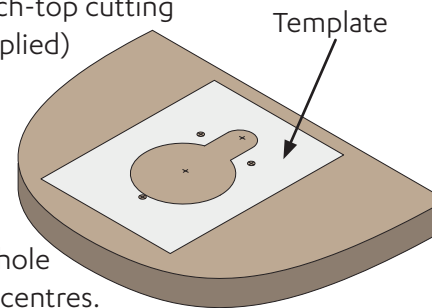
1 Positioning

Position under counter appliances and Tap as close together as possible.



2 Mark out the Font and Tap positions

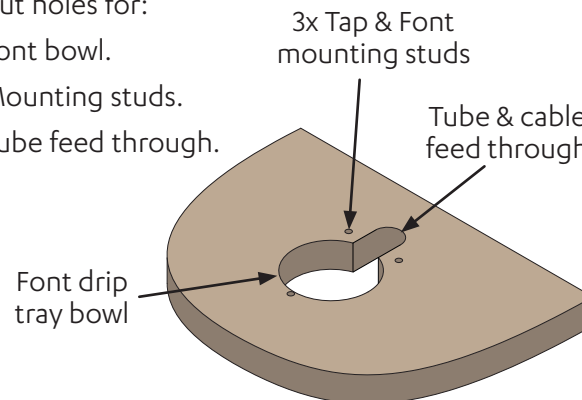
- Place the bench-top cutting template (supplied) in position on the work top.



- Mark out the hole positions and centres.

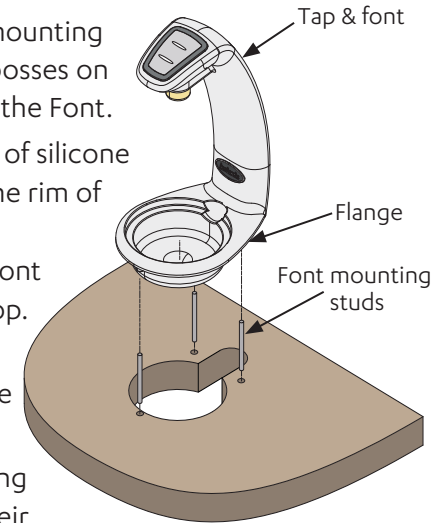
3 Cut the holes in the work top

- Cut holes for:
- Font bowl.
- Mounting studs.
- Tube feed through.

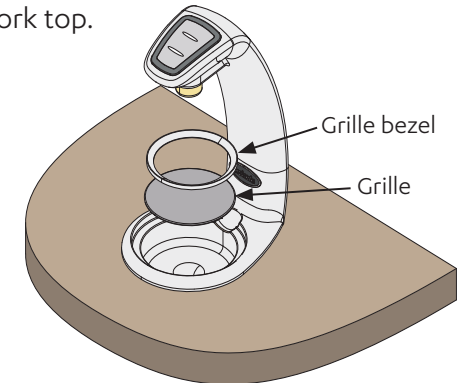


4 Mount the Tap & Font

- Screw the Font mounting studs into the 3 bosses on the underside of the Font.
- Apply a light film of silicone sealant around the rim of the Font flange.
- Offer the Tap & Font up to the work top.
- Feed the tubes & cable through the slot.
- Feed the mounting studs through their respective holes in the worktop
- Press the assembly into place on the work top.



- Press the assembly into place on the work top.



- Place the Font grille & bezel into position.

