



# Instanta G2 InstaTap

Commercial Boiling 20 litre Matt Black

## BOILING



1 font included:



Also available in:



POLISHED STAINLESS

Product code: I2CB20

Actual product may vary slightly depending on functionality. The image shown is a representation only.

## Features and benefits

### Enhanced hygiene

Antimicrobial steritouch keypad that reduces 99.9% of surface bacteria, perfect for maintaining hygiene.

### Smooth water flow

Dispenses a smooth water flow to minimise spluttering and steam.

### Choice of dispense

There are three options available: free pour and 2 measured dispense.

### Choice of design

Available in 2 heights and 2 finishes.

Model	Capacity	Heat up time (minutes)	Rapid draw off (litres)	Rapid draw off (cups)*	Boiling cups per hour*	Nominal power rating kW @ 230V	Command centre dimensions W x D x H
I2CB20B	20 Litres	43	20	120	180	3	390mm x 475mm x 568mm

\*Cups measured at 167ml

## Product detail

---

### Specification type

---

Product code	I2CB20B
Product name	InstaTap G2 Commercial Boiling 20ltr matt black

---

### Capacity, weights & dimensions

---

Water functions	Boiling
Boiling capacity	180 Cups per hour (default temperature setting at 96 °C)
Unit dimension (W x D x H)	390mm x 475mm x 568mm
Product weight - empty / full	16.2kg / 38.5kg

---

### Plumbing

---

Wholesome water inlet supply required	Cold Feed
Supply pressure range	2 - 5 bar
Supply connection	1 x isolated 3/4" BSP BSP fitting (Install rail 15mm)
Installation	Must comply with current water supply regulations

---

### Electrical

---

Command centre power rating	3kW @ 220-240V
Voltage supply	13 amps
Power supply requirements	1 x 13amp socket outlet
Cable length	1.7m fitted with UK standard 3-pin plug
Installation	Must comply with current IEEE regulations

---

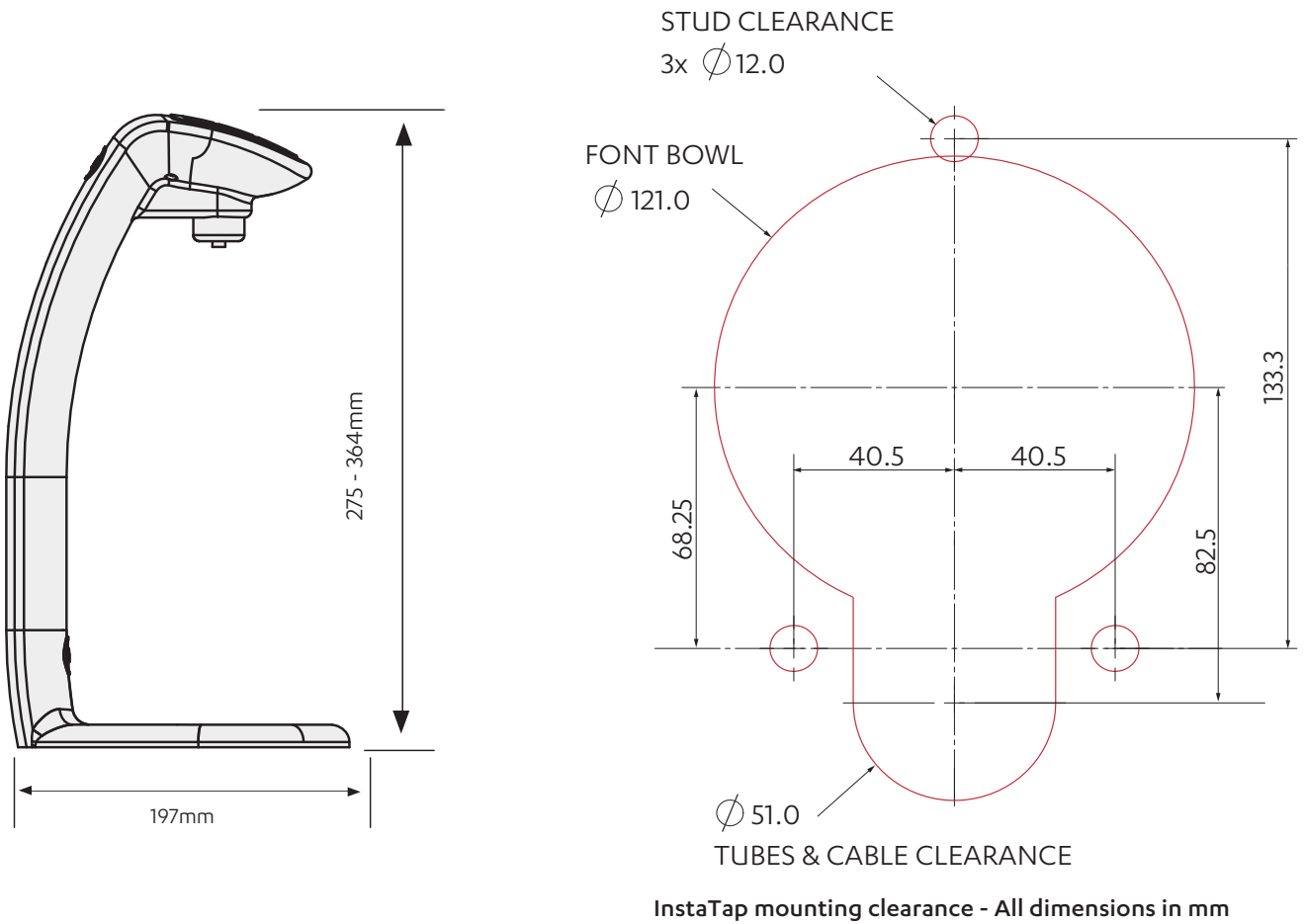
## Font

Style	Standard
Finish	Matt Black
Dimensions (W x D x H)	150mm x 197mm x 275mm
Tap font clearance	195mm
Disability options	No
Packed Dimensions (W x D x H)	400mm x 215mm x 275mm
Packed weight	4.6kg

## Command Centre

Factory temperature boiling	96°C
Heat up time	43 mins
Stand by power loss (Idle over 24hrs)	1.4 kW/h
Wholesome water supply requirements	Cold Feed
Tank material	Stainless steel
Packed Dimensions (W x D x H)	400mm x 215mm x 275mm
Packed weight	4.6kg

## Font installation



## Under-counter unit installation

Clearance space required  
for under counter unit

