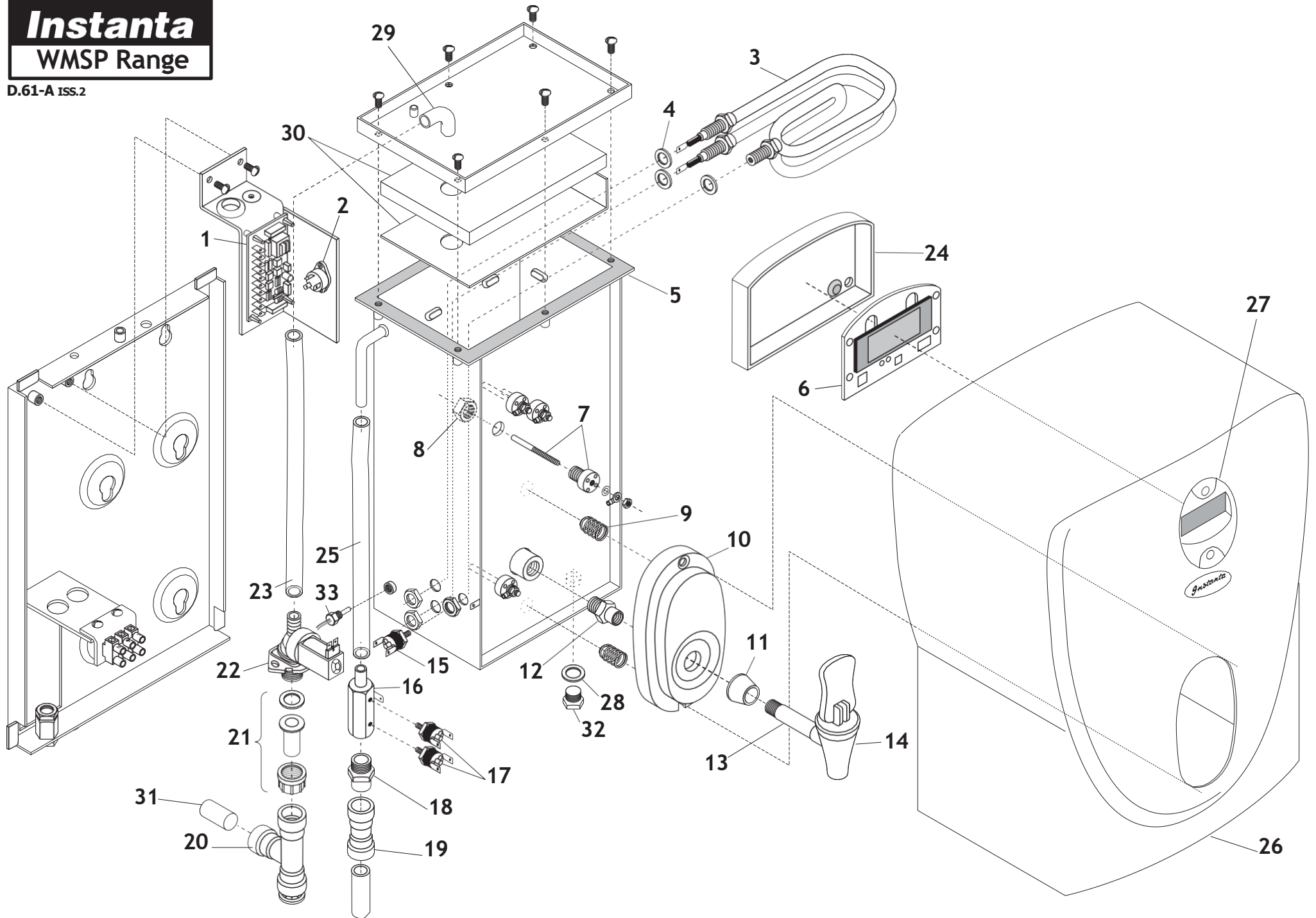


Instanta WMSP Range

D.61-A ISS.2



WMSP SERIES KEY to EXPLODED DRAWING KEY (D.61-SP)

Drawing No	Description	Part No
1	Main printed circuit board (all WM series)	XE870SC
2	Triac	XE851 (3kW) XE854 (6kW)
3	Element	XEN175 (WM3, WM7, WM15-3 to S/N V08817) XEN100 (WM15-6 (to S/N X07687 & WM25 to S/N R01274)
3	Element	XEN200 (WM15-3 from S/N V08818 – WM15-6 from X07688 & WM25 from S/N R01275)
4	Element washer (silicone rubber)	XEN100W
5	Tank Gasket	WEN3G (WM3) WEN7G (WM7) WEN15GN (WM15 to S/N V08817 & X07687) XEN5G (WM15 from S/N V08818 & X07688) WEN25G
6	Display printed circuit board	XE871SC
7	Level sensing probe	PRB1A
8	Hexagon nut	T514P
9	Spring	WMBSP1
10	Grey plastic tap-surround	WMB1SS
11	Grey plastic tap collar	WMB2SS
12	Brass tank-to-tap adaptor	XTP1019SS
13	Chromed tap extension	XTP1013
14	Draw-off tap	WTP600
--	Upper Tap Assembly	XTP1050A
15	Boil-dry thermal safety switch (120°C)	XETR5
16	Brass mount (for safety switch above)	SRF25
17	Over-boil thermal safety switch (90°C) (from serial number – WM7 U10687, WM3 T06415, WM15-3 V08226, WM15-6 X07526 & WM25 R01122	XETR6
17	Over-boil thermal safety switch (90°C) (before numbers above)	XETR7
18	Brass ¼"bsp to 15mm push-fit adaptor	SRF15
19	15mm straight push-fit coupling	WMB15S
20	15mm "T" push-fit coupling	WMB15T
21	3/4" nut, tail & washer assembly	WMB34A
22	Solenoid valve	SOL12
23	Internal water feed pipe (grey silicone rubber)	ACC309S
24	Plastic back-cover box (plastic Case)	WMB303LC
24	Plastic back-cover box (stainless Case)	WMB310LC (before number T06435 & U10636) WMSSP2 (From T06435 & U 10636)
25	Plastic display-window	XEN301LC
26	Fibre Washer	WBA501
27	Brass Tank Drain	WBA247C
--	Plastic outer case (Note: some models have a stainless steel outer case)	WMB300LC (WM3 plastic) WMB750LC (WM7 plastic)